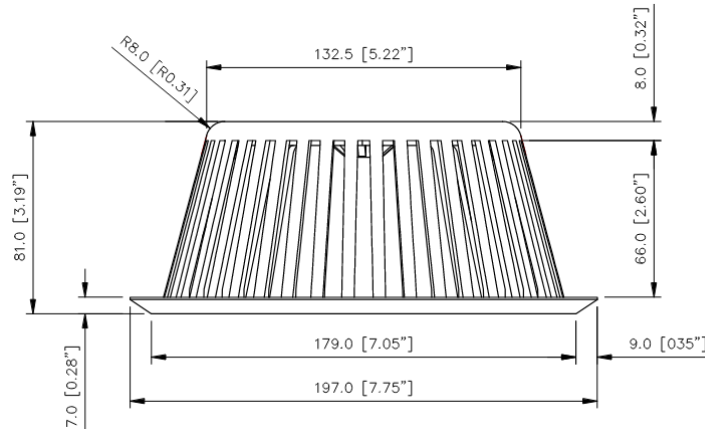
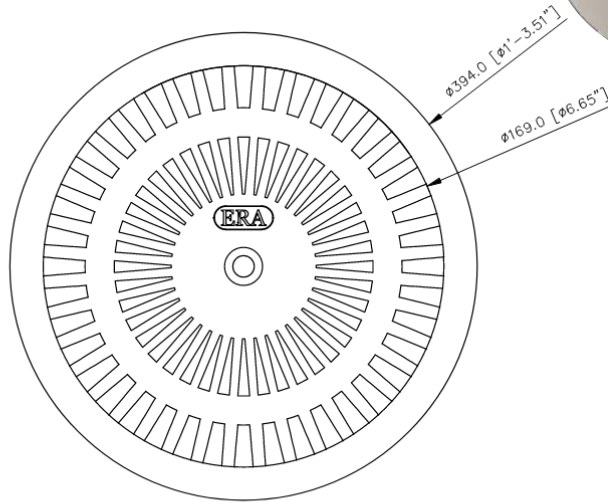


TPO DOME

NEW INSTALLATION • RETROFIT

PRODUCT INFORMATION

SKU: P-TPODOME



FEATURES:

- TPO dome, crafted for maximum corrosion resistance
- Compatible with all Economy Aluminum and Copper drains
- Features 40 weir slots for maximum water flow
- Easy maintenance facilitated by 2 Phillips screws
- Vandal-resistant yet contractor-friendly for ease of use

APPLICATION:

Dome strainers in roof drains prevent debris, such as leaves and twigs, from clogging the drainage system while allowing water to flow freely. They help maintain optimal drainage, protect plumbing from damage, and enhance safety by reducing the risk of standing water on the roof surface.

There is no equal to **PLATINUM!**

Please note that PLATINUM products may be periodically updated & are subject to change without prior notice. For additional information, contact PLATINUM ROOFING PRODUCTS at 1 800 538 7767 or info@platinumroofingproducts.com