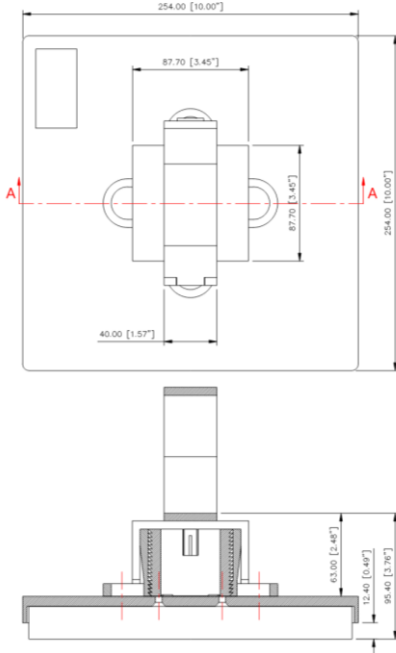


SMART ROOF SYSTEM

SMARTBLOX KIT

PRODUCT INFORMATION

SKU: P-SBK-2.5
P-SBK-3.5
P-SBK-6.5

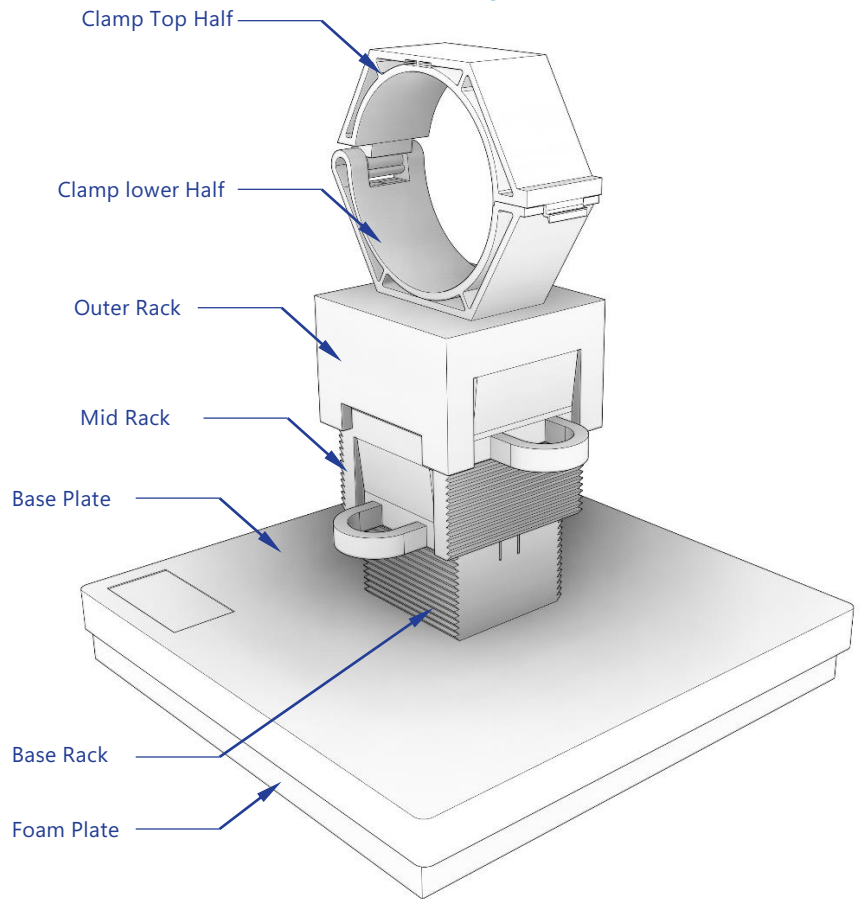
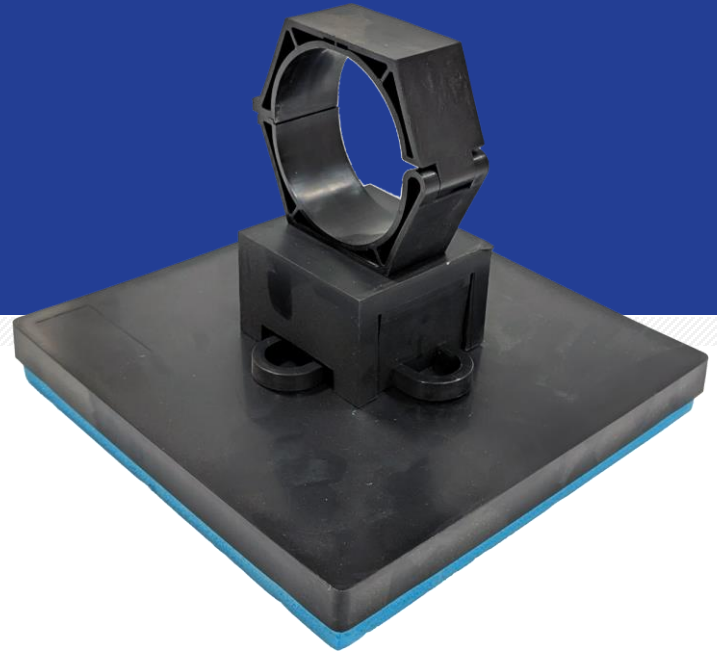


FEATURES:

- Robust heavy-duty gas line support featuring adjustable height and multiple head sizes for versatile applications
- Constructed from recycled modified Polypropylene, ensuring durability throughout the building's lifespan
- 10" x 10" base insulated with 1" thick closed-cell XPS foam for enhanced protection
- Engineered to support gas lines with diameters ranging from 1" to 6"
- Available head sizes include 2.5", 3.5", and 6.5" to suit various requirements
- Adjustable height from 4" to 12" to effectively center the top support bracket

APPLICATION:

SmartBlox system securely hold and elevate gas pipes above the roof surface, ensuring proper load distribution to prevent damage to roofing materials. It facilitate drainage by preventing water pooling and accommodate thermal expansion and contraction of pipes, reducing stress on both the pipes and the roofing system. Additionally, SmartBlox system improve accessibility for maintenance and inspections, extending the lifespan of both the roofing and piping systems while ensuring compliance with building codes and standards.



There is no equal to **PLATINUM!**

Please note that PLATINUM products may be periodically updated & are subject to change without prior notice.
For additional information, contact PLATINUM ROOFING PRODUCTS at 1-800-538-7767 or info@platinumroofingproducts.com