

ROOF DRAIN SERIES

PREMIUM STAINLESS STEEL FLAT DECK DRAIN
NEW CONSTRUCTION • INSTALLATION

PRODUCT INFORMATION



DESCRIPTION:

For effective roof drainage, high-quality hardware is essential to swiftly move water away and keep your property dry. PLATINUM Stainless Steel Roof Drains are renowned for their exceptional durability & are often described as "indestructible," making them perfect for harsh environments. All components Made from **PREMIUM MARINE GRADE STAINLESS STEEL**. These drains provide superior strength & corrosion resistance. They effectively address issues like "red water," "blue-green water," & "hidden water," preventing unpleasant odors, scaling, & harmful substances, while maintaining odor-free drain water. Additionally, stainless steel offers outstanding resistance to both fire & heat, enhancing overall reliability and performance.

FEATURES & BENEFITS:

- Available in 3, 4, 5, & 6 in. leader diameters to meet a range of field conditions
- Vandal proof stainless steel dome lid with removable dome by loosening 3 screws & twist off. No need to remove screws
- Dome, Clamping ring & 18" flat deck (0.050") Drain deck made out of 316L Stainless Steel
- 12" Stem (0.040") made out of 304L Stainless steel
- Each roof drain includes a QR code laser marked on the dome lid for quick registration & maintenance history access
- 4-stud design for efficient installation

APPLICATION:

Designed for all types of low sloped roofs in new construction, suitable for both conventional roof membrane systems (without ballast guard) and inverted roof membrane systems (with ballast guard). Compatible with PVC, cast iron, steel, copper, & other types of leaders.

STANDARDS & APPROVALS:

All Platinum drains are certified by QAI Laboratories to meet **ASME 112.6.4 & CSA-B79-08** standards, along with **IPC & UPC** codes. Manufactured in the USA according to **AS9100/ISO9001** standards, certified partner of Platinum.



WHY 316L STAINLESS STEEL?

- 316L is the superior choice for high corrosion & high temperature applications. Since 316L contains less carbon than 316, it has better intergranular corrosion resistance, meaning its welds won't decay
- Stainless steel is, on average, 2.5 times stronger than copper & performs much better on the strain & stress tests
- Stainless steel tube has a tensile strength approximately 3 times that of copper & can withstand high pressures & temperatures without any issue

MAINTENANCE:

According to the CRCA/NRCA guidelines, all drains should be checked twice a year in spring & fall, with any debris cleared from both around & inside the strainer.

WARRANTY:

Our lifetime limited warranty covers all stainless steel products, protecting against leaks and material or manufacturing defects. Check our website for full warranty details.

PARTS LIST

ITEM	QTY	DESCRIPTION
1	1	Stainless Steel dome lid 316L
2	1	4-bolt Stainless Steel dome strainer
3	1	Stainless Steel clamping ring 316L
4	1	Stainless Steel flow control 316L
5	1	Stainless Steel flat deck 316L drain with 12" stem 304L
6	4	3/8 - 16" Stainless Steel Knurled-head thumb screw
7	8	3/8 - 16" Stainless Steel hex nut
8	3	#8 * 1/2" Stainless Steel Philips rounded head self drilling Screws

PACKAGING INFO

SKU	SIZE	PACKAGE QTY.	DIMENSIONAL WEIGHT LBS. (kg)
P-SS3NRD	3 in. (76.2) mm	1	14.5(6.57)
P-SS4NRD	4 in. (101.6) mm		15(6.80)
P-SS5NRD	5 in. (127.0) mm		15.7(7.12)
P-SS6NRD	6 in. (152.4) mm		16.2(7.34)



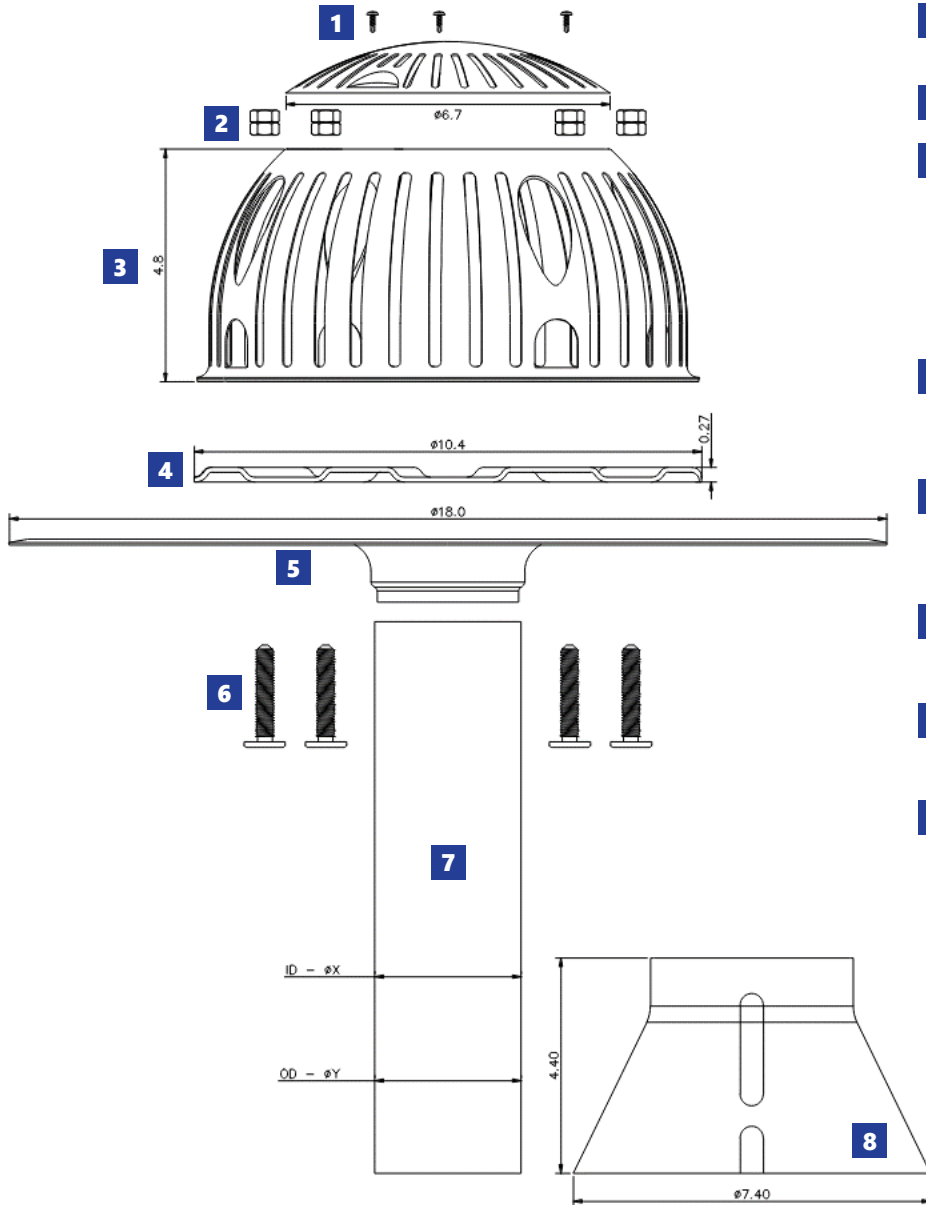
REGISTER YOUR DRAIN

Scan the QR code on your drain dome lid, follow the link and allow location permission, fill in the form & register.

ROOF DRAIN SERIES

PREMIUM STAINLESS STEEL FLAT DECK DRAIN
NEW CONSTRUCTION • INSTALLATION

PART'S SPECIFICATION



- 1 SELF DRILLING SCREWS**
(92364A194) - Stainless Steel Pan Head Self Drilling Screw for Metal, Phillips Head, 8-18 Thread, 1/2in Length
- 2 HEX NUTS**
Super corrosion resistant 316L stainless steel hex nut
- 3 DOME & DOME LID**
Heavy-duty formed Stainless Steel dome, crafted from 316L marine grade stainless steel for maximum corrosion resistance, features a removable lid that can be twisted off by loosening just three screws. It includes keyed holes for easy and quick dome installation & removal without the need to remove nuts. The design incorporates 33 weir slots to ensure maximum water flow. This dome is both vandal-resistant & contractor-friendly.
- 4 CLAMPING RING**
Heavy Duty Formed Stainless Steel Manufactured from 316L SS maximum corrosion resistance. 8 drainage channels to allow full drainage. Flange designed for optimum seal with roof flashing.
- 5 18" DIAMETER DECK**
Made of .050" thick 316L marine grade Stainless Steel for maximum corrosion resistance. Seamless body with an extra-large 18 in. flange for positive attachment of the roof flashing membrane.
- 6 THUMB SCREWS**
(91746A453) - Welded 3/8" stainless steel Knurled-head thumb screws ensure a hermetic seal to prevent water leakage.
- 7 STEM**
Made of .040" 304L high strength Stainless Steel for maximum corrosion resistance. Stainless Steel welded & overlapping seams for clean solid weld fusion.
- 8 FLOW CONTROL RESTRICTOR**
Made out of 316L marine grade Stainless Steel, Simple & easy to install. Fits all styles & sizes of Platinum drains. (see the performance chart below)

FLOW CONTROL RESTRICTOR PERFORMANCE CHART

WATER HEAD LEVEL	FLOW CONTROL (GPM)
0"	Minimal Flow
1" Head of water	8 GPM
2" Head of water	12 GPM
3" Head of water	20 GPM
4" Head of water	30 GPM

LEADER DIAMETER IN DIFFERENT SKU'S

ITEM	P-SS3NRD	P-SS4NRD	P-SS5NRD	P-SS6NRD
INNER DIMENSION - ØX	2.92" (74.1 mm)	3.92" (99.5 mm)	4.92" (124.9 mm)	5.92" (150.3 mm)
OUTER DIMENSION - ØY	3" (76 mm)	4" (102 mm)	5" (127 mm)	6" (152 mm)

ROOF DRAIN SERIES

PREMIUM STAINLESS STEEL FLAT DECK DRAIN
NEW CONSTRUCTION • INSTALLATION

INCLUDED IN THE BOX



DRAIN BODY



DOMESTRAINER



HEX NUTS



CLAMPING RING



FLOW CONTROL WEIR

DRAIN INSTALLATION INSTRUCTIONS

A BUILT-UP ROOFING MEMBRANES

- Ensure membrane surface is dry, prepared and cleaned for the install of the new drain.
- Coat the top and bottom of the drain flange with asphalt primer. Allow to dry. Apply a continuous bed of asphalt mastic on the bottom side of the drain flange. Install the drain turning it slightly while applying sufficient pressure to ensure a good seal with the existing roof membrane.
- Plug the drain with a rag or plumbers plug so roofing debris does not block the plumbing lines.
- Apply a minimum two 2 plies of #15 asphalt perforated felts and one ply of type IV glass felts in Type 2 asphalt. The first ply is to extend a minimum of 6" (152 mm) beyond outside flange of drain. Each additional ply shall extend a further 4" (102 mm) beyond underlying ply.
- Cut an opening in the new plies the circumference of the drain throat to remove the rag/plumbers plug and to activate the drain.
- Install clamping ring and tighten nuts to achieve constant compression. Install drain screen. Secure in place. Close and tighten screw on Flip top.
- Flood and gravel in asphalt to new clamping ring and dome
- Ensure roof drains are clear of debris and free draining at project completion.

C EPDM MEMBRANES

- Ensure membrane surface is dry, prepared and cleaned for the install of the new drain.
- Cut a hole in the membrane for the drain stem. Clean both top and bottom sides of the drain flange. Apply a continuous bed of water cut off mastic on the bottom side of the drain flange. Install the drain turning it slightly while applying sufficient pressure to ensure a good seal with the existing roof membrane.
- Plug the drain with a rag or plumbers plug so roofing debris does not block the plumbing line
- For a target patch, cut a 3'x3' piece of EPDM with rounded corners and a hole 0.5" to 0.75" larger than the drain throat. Make bolt holes but avoid cutting around them.
- Add 3" seam tape to all the underside edges of the target patch.
- Apply bonding adhesive to the top flange and underside of the patch. Reinstall the patch, release film for the seam tape and roll out patch to ensure good bonding.
- Alternatively, the field membrane can be used with a similar application. If approved by the manufacturer, follow membrane manufacturer's instructions.
- Cut an opening in membrane the circumference of the drain throat to remove the rag/plumbers plug and to activate the drain.
- Seal all cut edges (outside of target patch) with lap sealant.
- Seal around the drain bolts and drain throat with water cut off mastic
- Install clamping ring and tighten nuts to achieve constant compression. Install drain screen. Secure in place. Close and tighten screw on Flip top.
- Ensure roof drains are clear of debris and free draining at project completion

B MODIFIED BITUMEN MEMBRANES

- Ensure membrane surface is dry, prepared and cleaned for the install of the new drain. For torch applied membrane, ensure the poly film has been burned off to expose the bitumen if on base ply. If on cap ply, please ensure that cap sheet has been de-granulated to receive the new adhesive or torch applied membrane.
- Coat the top and bottom of the drain flange with asphalt primer. Allow to dry. Apply a continuous bed of asphalt mastic on the bottom side of the drain flange. Install the drain turning it slightly while applying sufficient pressure to ensure a good seal with the existing roof membrane.
- Plug the drain with a rag or plumbers plug so roofing debris does not block the plumbing lines.
- Install a base sheet membrane target patch over the drain flange cutting around drain bolts. Extend the sheet minimum 6" (152mm) beyond the flange.
- Install cap sheet membrane cutting around drain bolts.
- Cut an opening in the new plies the circumference of the drain throat to remove the rag/plumbers plug and to activate the drain.
- Apply seal around each bolt with rubberized asphalt mastic.
- Install clamping ring and tighten nuts to achieve constant compression. Install drain screen. Secure in place. Close and tighten screw on Flip top.
- Ensure roof drains are clear of debris and free draining at project completion.

D TPO MEMBRANES

- Ensure membrane surface is dry, prepared and cleaned for the install of the new drain. Cut a hole in the membrane for the drain stem. Clean both top and bottom sides of the drain flange. Apply a continuous bed of water cut off mastic on the bottom side of the drain flange. Install the drain turning it slightly while applying sufficient pressure to ensure a good seal with the existing roof membrane.
- Plug the drain with a rag or plumbers plug so roofing debris does not block the plumbing line
- For a target patch, cut a 3'x3' TPO piece with rounded corners and a hole 0.5" to 0.75" larger than the drain throat. Make bolt holes but avoid cutting around them.
- Dry install the target patch marking the flange's outline.
- Apply bonding adhesive to the top flange and underside of the patch. Reinstall the patch, weld it to the field membrane, and seal the edges.
- Alternatively, the field membrane can be used with a similar application. If approved by the manufacturer, follow membrane manufacturer's instructions.
- Remove the rag/plumbers plug and to activate the drain.
- Seal all cut edges with cut edge sealant. Seal around the drain bolts and drain throat with water cut off mastic
- Install clamping ring and tighten nuts to achieve constant compression. Install drain screen. Secure in place. Close and tighten screw on Flip top.
- Ensure roof drains are clear of debris and free draining at project completion.



ROOF DRAIN SERIES

PREMIUM STAINLESS STEEL FLAT DECK DRAIN

NEW CONSTRUCTION • INSTALLATION

QR TECHNOLOGY



Introducing the latest innovation from Platinum Roofing Technologies: our advanced stainless steel QR drains, designed to transform your roofing experience.†

Our cutting-edge drains feature an integrated QR code that provides instant access to all essential roof information. At Platinum Roofing Technologies, we are dedicated to setting new industry standards with our innovative approach. Simply scan the QR code to effortlessly retrieve comprehensive details about your roof, making vital information easily accessible whenever you need it.



BENEFITS:

Instant Access to Information:

Users can quickly scan the QR code with a smartphone to access essential details about the drain, such as installation instructions, maintenance schedules, and manufacturer information.

Streamlined Maintenance:

Maintenance personnel can access specific maintenance logs, troubleshooting guides, and service histories directly from the QR code, improving efficiency and accuracy.

Enhanced Documentation:

The QR code can link to digital records, including installation dates, inspection reports, and compliance certificates, providing a comprehensive history of the drain's usage.

Reduced Paper Use:

By providing digital access to information, the QR code reduces the need for physical documentation, promoting a more eco-friendly approach.

Future-Proofing:

As technology evolves, the QR code can be updated to link to new resources or information, keeping the data relevant and useful over time.

TO REGISTER:

- 1 Ensure your phone or tablet has GPS enabled and a mobile data connection.
- 2 Open the camera app and scan the QR code located on the drain dome lid.
- 3 Follow the link that appears after scanning the QR code.
- 4 Allow location permissions to the website to register your roof's position.
- 5 Complete the comprehensive form with detailed information about your roof.
- 6 Provide extensive property details such as installation specifics, warranty information, and roofing system particulars.
- 7 Click "Register"* to finalize the process.**

TO ACCESS:

To view your registered drain installation & maintenance records, scan the QR code to create an account and access all your roof specs and maintenance details. All step-by-step instructions for registration & access to the drain maintenance records are included in the product package.

† Private label options available.

* For details on how PLATINUM handles your information, please refer to the PLATINUM Privacy Policy section.

** Message and data rates may apply.

There is no equal to **PLATINUM!**

Please note that PLATINUM products may be periodically updated & are subject to change without prior notice.
For additional information, contact PLATINUM ROOFING PRODUCTS at 1-800-538-7767 or info@platinumroofingproducts.com



Manufactured in the USA per
AS9100/ISO9001
Certified partner of Platinum



800 . 538 . 7767
www.platinumroofingproducts.com