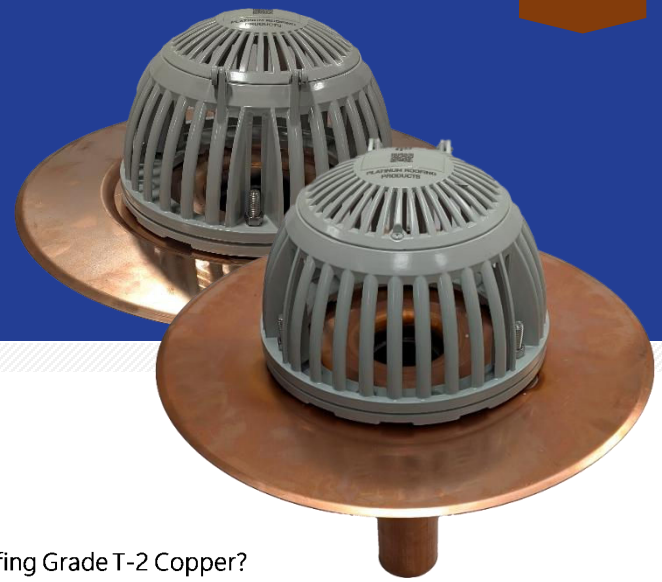


ROOF DRAIN SERIES

3-BOLT PREMIUM COPPER DRAIN
NEW INSTALLATION

PRODUCT INFORMATION



DESCRIPTION:

Copper's exceptional strength and natural resistance to corrosion make it an ideal material for roof drains. A premium copper roof drain significantly reduces the likelihood of rust or deterioration, which extends its lifespan and enhances reliability. Featuring a copper-welded stem to deck with overlapping seams, this drain provides superior structural strength. The stainless steel Argon arc-welded bolts ensure solid weld fusion for additional durability. Crafted from **PRIME ROOFING GRADE T-2 COPPER**, these drains efficiently manage water flow, minimizing the risk of blockages. Additionally, copper's antimicrobial properties prevent buildup, while its resistance to thermal expansion ensures consistent performance in extreme weather. These features ensure water is effectively directed away from the roof, safeguarding the structure for years to come.

WHY Prime Roofing Grade T-2 Copper?

- T-2 copper has high copper purity (typically 99.9%), which ensures excellent structural integrity and long-lasting durability, making it ideal for roofing components that face extreme weather.
- Its superior corrosion resistance ensures that it can withstand exposure to rain, snow, and pollutants without degrading, prolonging the life of roof drains and other components.
- T-2 copper is highly workable, allowing for precise fabrication and installation, especially when forming complex parts like drains, domes, or seams.
- With a balanced expansion coefficient, T-2 copper adapts well to temperature changes, reducing the risk of cracking or warping, which is crucial in roofing applications.
- Prime Roofing Grade T-2 copper develops a beautiful patina over time, which not only protects the material but also enhances the aesthetic appeal of the building.

APPLICATION:

Designed for all types of low sloped roofs, suitable for both conventional roof membrane systems (without ballast guard) and inverted roof membrane systems (with ballast guard). Compatible with PVC, cast iron, steel, copper, & other types of leaders.

MAINTENANCE:

According to the CRCA/NRCA guidelines, all drains should be checked twice a year in spring & fall, with any debris cleared from both around & inside the strainer.

WARRANTY:

Our 20-year warranty offers comprehensive coverage against leaks & defects in both materials & manufacturing processes. This warranty ensures that you receive long-term reliability & performance from your product.

FEATURES & BENEFITS:

- Available in flat deck
- Available in 3" and 4" leader diameter with 22" stem length to meet a range of field conditions
- Heavy-duty cast aluminum flip-top dome with a powder-coated finish for enhanced vandal resistance
- The flip top dome lid can also be entirely removed by unscrewing the hinges which gives 6.5" opening
- Each roof drain includes a QR code laser marked on the dome lid for quick registration & maintenance history access
- Constructed with 24 oz / 0.05" (1.2mm) prime roofing grade T-2 copper for drains up to 3", 1.5mm copper for 5", and 2.0mm copper for 6" drains
- 3-stud design for efficient installation
- Includes (6) Stainless Steel nuts
- The flat deck is designed with an 8-degree beveled edge for better adhesion and added strength

STANDARDS & APPROVALS:

All Platinum drains are certified by QAI Laboratories to meet ASME 112.6.4 & CSA-B79-08 standards, along with IPC & UPC codes.



PARTS LIST

ITEM	QTY	DESCRIPTION
1	1	Heavy duty Cast Aluminum flip-top dome lid
2	1	Heavy duty 3-bolt cast aluminum dome strainer
3	1	Heavy duty Aluminum clamping ring
4	1	Premium Copper flat/recessed deck drain with stem
5	3	3/8 - 16" X 2.25" UNC Stainless Steel stud
6	6	3/8 - 16" Stainless Steel hex nut
7	1	#8 * 1/2" Stainless Steel Phillips rounded head machine Screws



REGISTER YOUR DRAIN

Scan the QR code on your drain dome lid, follow the link and allow location permission, fill in the form & register.

ROOF DRAIN SERIES

3-BOLT PREMIUM COPPER DRAIN

NEW INSTALLATION

PRODUCT INFORMATION

PACKAGING INFO

SKU	SIZE	PACKAGE QTY.	DIMENSIONAL WEIGHT LBS. (kg)
P-PL90361F	3" in. (76.2) mm	1	12.34 (5.6)
P-PL90362F	4" in. (101.6) mm		13.93 (6.32)

LEADER DIAMETER IN DIFFERENT SKU'S

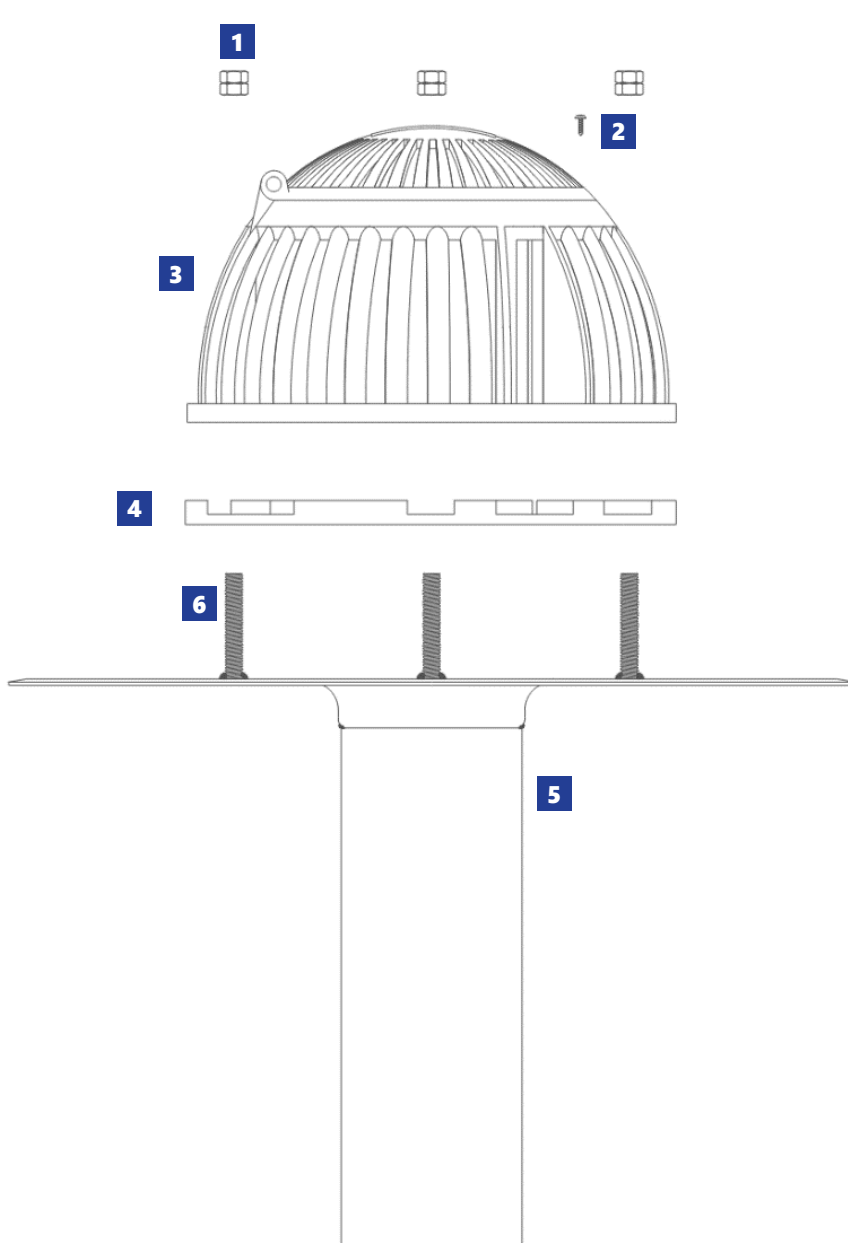
SKU	INNER DIMENSION – ØX (in)	OUTER DIMENSION – ØY (in)
P-PL90361F	2.90	3"
P-PL90362F	3.88"	4"

ROOF DRAIN SERIES

3-BOLT PREMIUM COPPER DRAIN

NEW INSTALLATION

PART'S SPECIFICATION



- 1** **HEX NUTS**
Super corrosion resistant 3/8"-16 stainless steel hex nut
- 2** **MACHINE SCREWS**
#8 * 1/2" Stainless Steel Phillips rounded head machine Screws
- 3** **DOME & DOME LID**
Heavy-duty Cast Aluminum powder coated dome, crafted for maximum corrosion resistance, features a flip-top lid. The design incorporates 33 weir slots to ensure maximum water flow. This dome is both vandal-resistant & contractor-friendly.
- 4** **CLAMPING RING**
Heavy Duty diecast powder coated Aluminum for maximum corrosion resistance. 9 drainage channels to allow full drainage. Flange designed for optimum seal with roof flashing.
- 5** **18" DIAMETER DECK & 22" STEM**
Made of 24 oz. / 0.05" (1.2mm) prime roofing grade T-2 Copper with an extra-large 18 in. flange for positive attachment of the roof flashing membrane.
- 6** **STAINLESS STEEL STUDS**
Welded 3/8"-16 x 2.25" UNC Stainless Steel stud ensure a hermetic seal to prevent water leakage.

ROOF DRAIN SERIES

3-BOLT PREMIUM COPPER DRAIN
NEW INSTALLATION
INCLUDED IN THE BOX


DRAIN BODY



DOME STRAINER



HEX NUTS



CLAMPING RING

DRAIN INSTALLATION INSTRUCTIONS
A BUILT-UP ROOFING MEMBRANES

- Ensure membrane surface is dry, prepared and cleaned for the install of the new drain.
- Coat the top and bottom of the drain flange with asphalt primer. Allow to dry. Apply a continuous bed of asphalt mastic on the bottom side of the drain flange. Install the drain turning it slightly while applying sufficient pressure to ensure a good seal with the existing roof membrane.
- Plug the drain with a rag or plumbers plug so roofing debris does not block the plumbing lines.
- Apply a minimum two 2 plies of #15 asphalt perforated felts and one ply of type IV glass felts in Type 2 asphalt. The first ply is to extend a minimum of 6" (152 mm) beyond outside flange of drain. Each additional ply shall extend a further 4" (102 mm) beyond underlying ply.
- Cut an opening in the new plies the circumference of the drain throat to remove the rag/plumbers plug and to activate the drain.
- Install clamping ring and tighten nuts to achieve constant compression. Install drain screen. Secure in place. Close and tighten screw on Flip top.
- Flood and gravel in asphalt to new clamping ring and dome
- Ensure roof drains are clear of debris and free draining at project completion.

C EPDM MEMBRANES

- Ensure membrane surface is dry, prepared and cleaned for the install of the new drain.
- Cut a hole in the membrane for the drain stem. Clean both top and bottom sides of the drain flange. Apply a continuous bed of water cut off mastic on the bottom side of the drain flange. Install the drain turning it slightly while applying sufficient pressure to ensure a good seal with the existing roof membrane.
- Plug the drain with a rag or plumbers plug so roofing debris does not block the plumbing line
- For a target patch, cut a 3'x3' piece of EPDM with rounded corners and a hole 0.5" to 0.75" larger than the drain throat. Make bolt holes but avoid cutting around them.
- Add 3" seam tape to all the underside edges of the target patch.
- Apply bonding adhesive to the top flange and underside of the patch. Reinstall the patch, release film for the seam tape and roll out patch to ensure good bonding.
- Alternatively, the field membrane can be used with a similar application. If approved by the manufacturer, follow membrane manufacturer's instructions.
- Cut an opening in membrane the circumference of the drain throat to remove the rag/plumbers plug and to activate the drain.
- Seal all cut edges (outside of target patch) with lap sealant.
- Seal around the drain bolts and drain throat with water cut off mastic
- Install clamping ring and tighten nuts to achieve constant compression. Install drain screen. Secure in place. Close and tighten screw on Flip top.
- Ensure roof drains are clear of debris and free draining at project completion

B MODIFIED BITUMEN MEMBRANES

- Ensure membrane surface is dry, prepared and cleaned for the install of the new drain. For torch applied membrane, ensure the poly film has been burned off to expose the bitumen if on base ply. If on cap ply, please ensure that cap sheet has been de-granulated to receive the new adhesive or torch applied membrane.
- Coat the top and bottom of the drain flange with asphalt primer. Allow to dry. Apply a continuous bed of asphalt mastic on the bottom side of the drain flange. Install the drain turning it slightly while applying sufficient pressure to ensure a good seal with the existing roof membrane.
- Plug the drain with a rag or plumbers plug so roofing debris does not block the plumbing lines.
- Install a base sheet membrane target patch over the drain flange cutting around drain bolts. Extend the sheet minimum 6" (152mm) beyond the flange.
- Install cap sheet membrane cutting around drain bolts.
- Cut an opening in the new plies the circumference of the drain throat to remove the rag/plumbers plug and to activate the drain.
- Apply seal around each bolt with rubberized asphalt mastic.
- Install clamping ring and tighten nuts to achieve constant compression. Install drain screen. Secure in place. Close and tighten screw on Flip top.
- Ensure roof drains are clear of debris and free draining at project completion.

D TPO MEMBRANES

- Ensure membrane surface is dry, prepared and cleaned for the install of the new drain. Cut a hole in the membrane for the drain stem. Clean both top and bottom sides of the drain flange. Apply a continuous bed of water cut off mastic on the bottom side of the drain flange. Install the drain turning it slightly while applying sufficient pressure to ensure a good seal with the existing roof membrane.
- Plug the drain with a rag or plumbers plug so roofing debris does not block the plumbing line
- For a target patch, cut a 3'x3' TPO piece with rounded corners and a hole 0.5" to 0.75" larger than the drain throat. Make bolt holes but avoid cutting around them.
- Dry install the target patch marking the flange's outline.
- Apply bonding adhesive to the top flange and underside of the patch. Reinstall the patch, weld it to the field membrane, and seal the edges.
- Alternatively, the field membrane can be used with a similar application. If approved by the manufacturer, follow membrane manufacturer's instructions.
- Remove the rag/plumbers plug and to activate the drain.
- Seal all cut edges with cut edge sealant. Seal around the drain bolts and drain throat with water cut off mastic
- Install clamping ring and tighten nuts to achieve constant compression. Install drain screen. Secure in place. Close and tighten screw on Flip top.
- Ensure roof drains are clear of debris and free draining at project completion.



ROOF DRAIN SERIES

3-BOLT PREMIUM COPPER DRAIN

NEW INSTALLATION

QR TECHNOLOGY



Introducing the latest innovation from Platinum Roofing Technologies: our advanced Aluminum QR drains, designed to transform your roofing experience.†

Our cutting-edge drains feature an integrated QR code that provides instant access to all essential roof information. At Platinum Roofing Technologies, we are dedicated to setting new industry standards with our innovative approach. Simply scan the QR code to effortlessly retrieve comprehensive details about your roof, making vital information easily accessible whenever you need it.



BENEFITS:

Instant Access to Information:

Users can quickly scan the QR code with a smartphone to access essential details about the drain, such as installation instructions, maintenance schedules, and manufacturer information.

Streamlined Maintenance:

Maintenance personnel can access specific maintenance logs, troubleshooting guides, and service histories directly from the QR code, improving efficiency and accuracy.

Enhanced Documentation:

The QR code can link to digital records, including installation dates, inspection reports, and compliance certificates, providing a comprehensive history of the drain's usage.

Reduced Paper Use:

By providing digital access to information, the QR code reduces the need for physical documentation, promoting a more eco-friendly approach.

Future-Proofing:

As technology evolves, the QR code can be updated to link to new resources or information, keeping the data relevant and useful over time.

TO REGISTER:

- 1 Ensure your phone or tablet has GPS enabled and a mobile data connection.
- 2 Open the camera app and scan the QR code located on the drain dome lid.
- 3 Follow the link that appears after scanning the QR code.
- 4 Allow location permissions to the website to register your roof's position.
- 5 Complete the comprehensive form with detailed information about your roof.
- 6 Provide extensive property details such as installation specifics, warranty information, and roofing system particulars.
- 7 Click "Register"* to finalize the process.**

TO ACCESS:

To view your registered drain installation & maintenance records, scan the QR code to create an account and access all your roof specs and maintenance details. All step-by-step instructions for registration & access to the drain maintenance records are included in the product package.

† Private label options available.

* For details on how PLATINUM handles your information, please refer to the PLATINUM Privacy Policy section.

** Message and data rates may apply.

There is no equal to **PLATINUM!**

*Please note that PLATINUM products may be periodically updated & are subject to change without prior notice.
For additional information, contact PLATINUM ROOFING PRODUCTS at 1.800.538.7767 or info@platinumroofingproducts.com*

